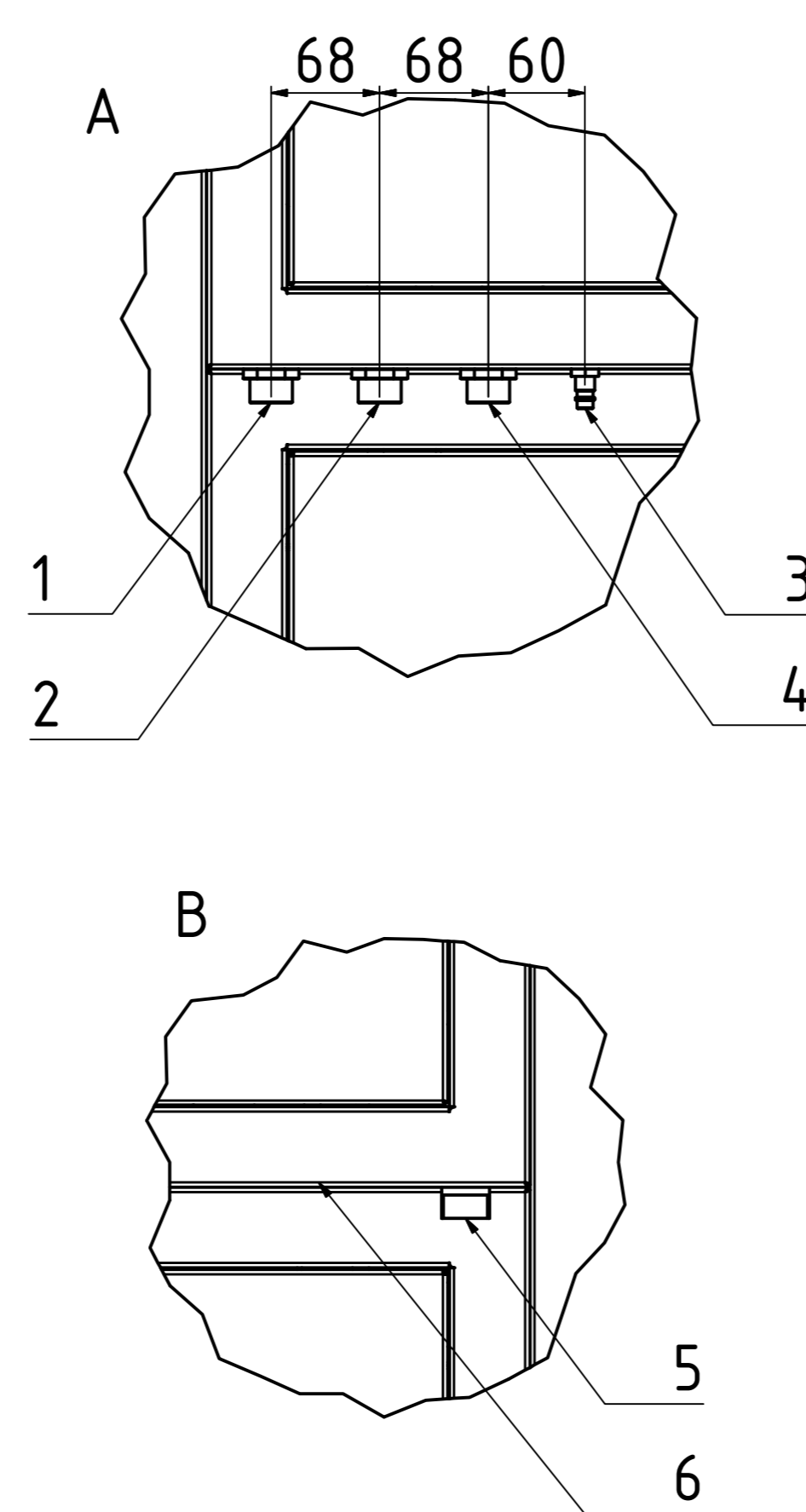
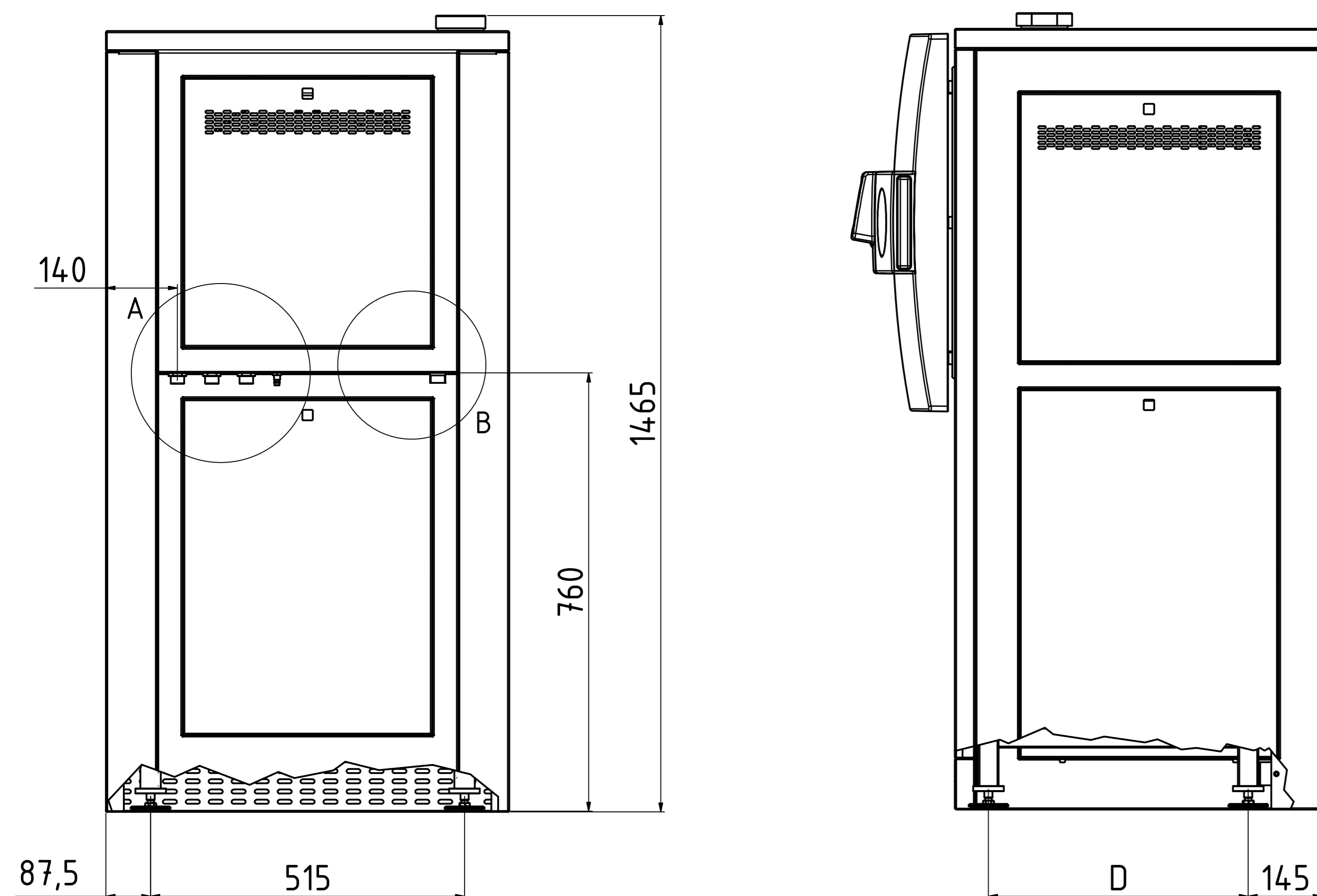
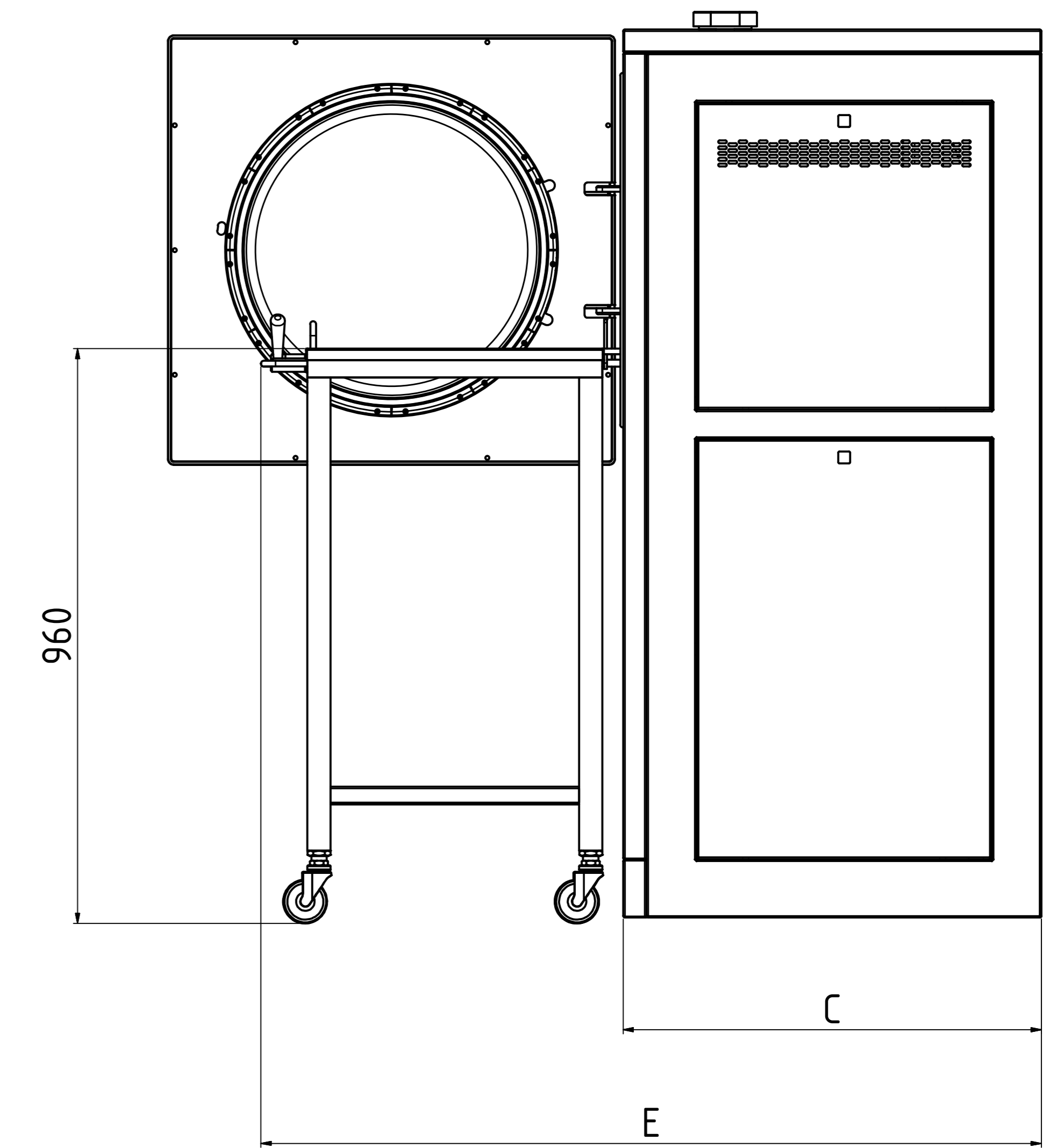
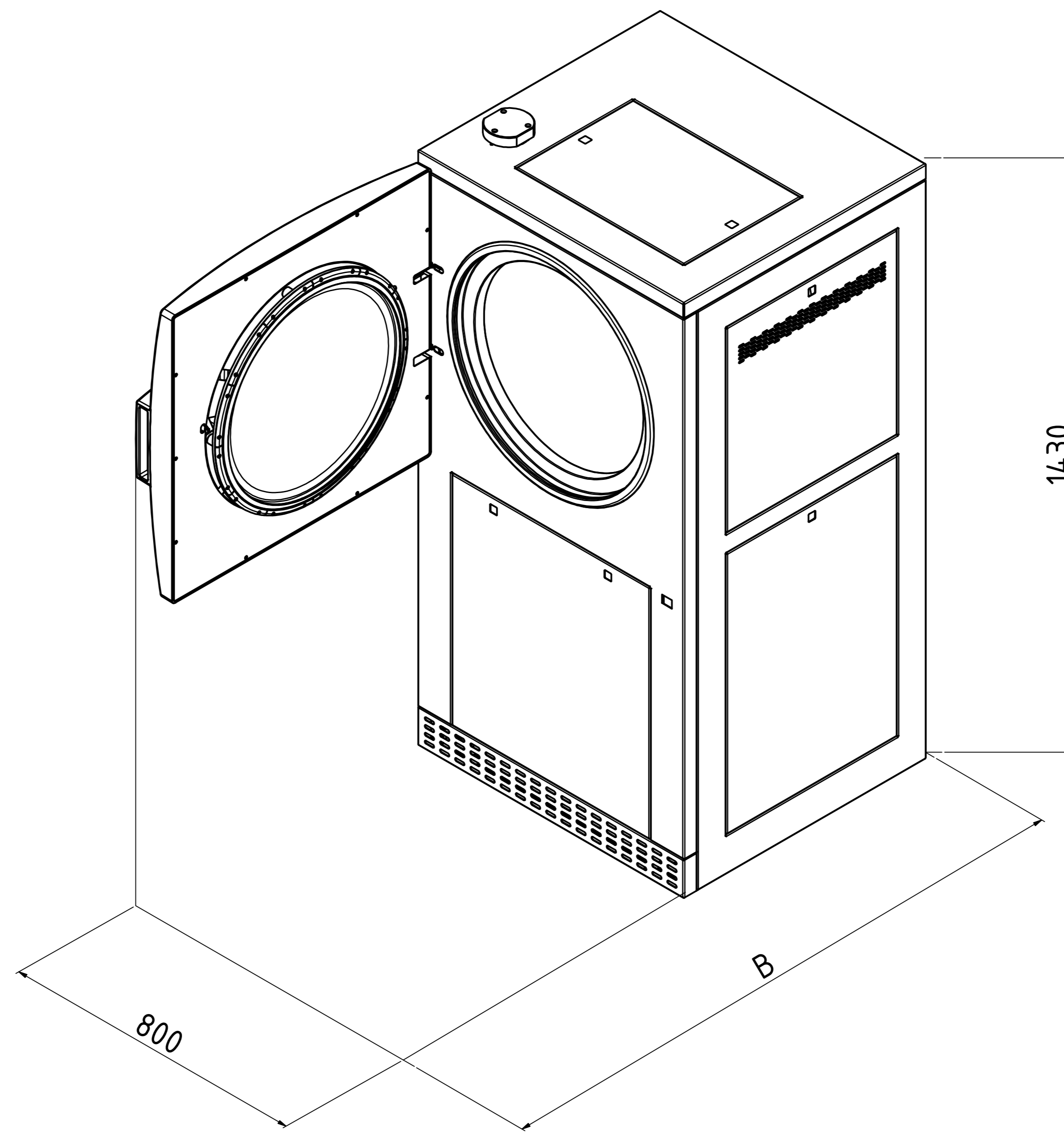
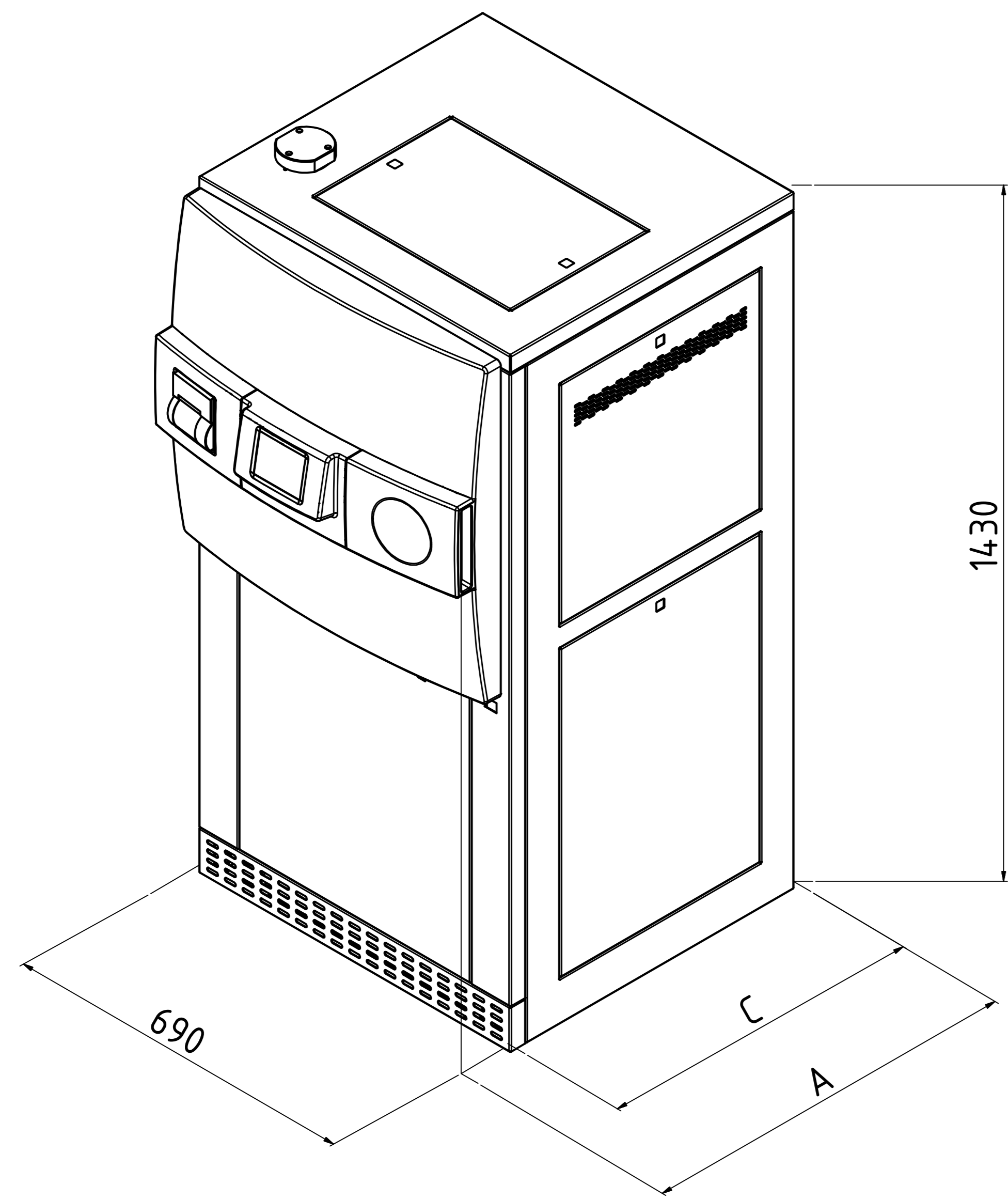


System HX-65 / HX-90



Technical data					
No.	Description	Size	HX	Comments	
1	Drain	3/4" ET	X	Temperature-resistant installation (103°C in case of failure) Temperature controlled at 70°C (settable) Drain height max. ≤ 40cm above the floor	
2	Tap water*	3/4" ET	X	≥ 1bar water pressure Σ alkaline earth ions ≤ 2,0 mmol/l, conductivity max. 300 µS/cm, 11°dH, 200mg/l CaCO ₃	
3	Dem mineralized water*	3/4" Et	X	≥ 1bar water pressure Σ alkaline earth ions < 0,02 mmol/l, conductivity: 0,1 - 15 µS/cm	
4	Compressed air	NW 7,2	0	min. 3-10bar / 50l/min., ≤ Class 4 according to DIN ISO 8573 Only with "water cooling with support pressure"	
5	Power supply* ²		X	3x400V+N+PE / 50/60Hz / 16 Ampere / CEE socket	
6	Interface		X	RS-232 / RS-485 (Ethernet network and USB compatible)	

	Art.-No.:	A	B	C	D	E	Heat emission	Net weight	Test weight* ³
System HX-65	2212	805	1310	625	415	1250	<600 Watt/h	ca.125 kg	ca.200 kg
System HX-90	2213	1005	1510	825	615	1650	<700 Watt/h	ca.145 kg	ca.250 kg

X = Standard 0 = Optional -- = Not Available Length dimensions in mm

* Other power and media connections available on request

*² Other voltages available on request

*³ Test weight: chamber completely filled with water for pressure test

Contact area of the feet: 5026,5mm² per foot - Total 20106mm² for 4 pieces (Ø80mm)

Allgemein- toleranz ISO 2768 T1-m Datum Name Gezeichnet 16.05.2015 Date System HX-Ø400 Zng.-Nr.: AZ 2212 EN Rev.: 1 1 A0	Oberfläche Maßstab: Werkstoff: Bemerkung: System HX-Ø400 Zng.-Nr.: AZ 2212 EN Rev.: 1 1 A0	Gewicht:
--	--	--------------